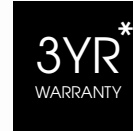
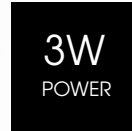
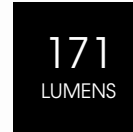


# LEXUS MINI BULKHEAD

LEXUS-MINI-3NW



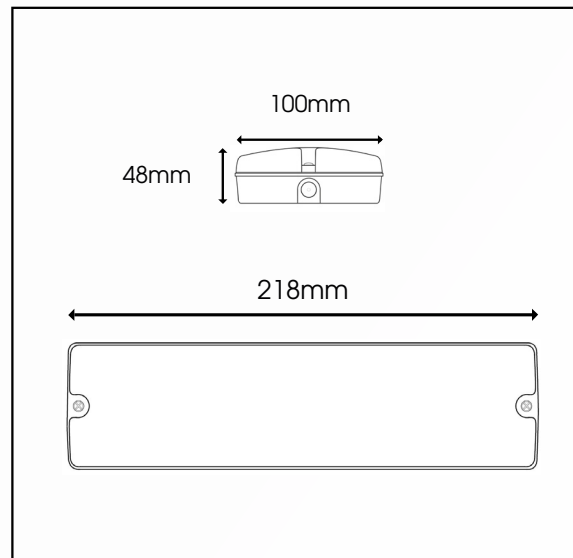
**Q-DRIVE**

Driver as Standard

**EPISTAR**

LED's inside

## TECHNICAL DRAWINGS



Specification	LEXUS MINI
System Power	3W
Driver Manufacturer	Q-Drive
LED Chipset	Epistar
IP Rating	IP65
Lumen Output	171Lm
Colour Temperature	4000K
Discharge Duration	3 hours
Housing Material	Polycarbonate
Diffuser Type	Polycarbonate
Beam Spread	120 °
LED Efficacy	57 Lm/cW
Input Voltage	AC 150-180V
Viewing Distance	18m
Emergency	Maintained/Non-maintained
Weight	0.47kg
Dimensions	218mm x 100mm x 48mm
Lifetime	50,000 hours, L70-B10 (Ta 25 °C)
CE Standards	EN60598-1, EN 60598 2-22, EN62493, EN55015, EN61547, EN61000-3-2, EN61000-3-3, EN62722-1, EN62722-2-1 and EN50581
CE Directives	LVD, EMC, ERP & RoHS

\* Warranty terms and conditions apply