

Baylite Pro Low Bay

CODE: BP-WS-NW/PIR/EM

PIR Sensor Info
on Following Page

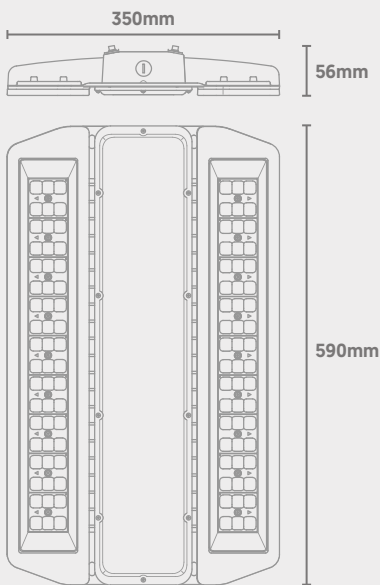
-  **IP65 Ingress Protection**
-  **IK10 Impact Resistance**
-  **Wattage Switchable**
-  **1-10V Dimmable (as Standard)**



3HR
EMERGENCY
DURATION

7
YEARS
WARRANTY
+ 2 YEAR ON SITE*

Dimensions



Wattage switchable from 0 to 200W via dial on back of fitting.

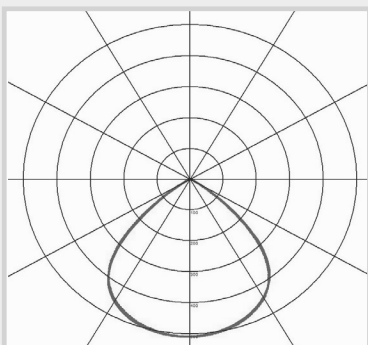
Power (Selectable)	Efficacy	Output	Kelvin
50W [Emergency 5W]	140Lm/cW	7000Lm [Emergency 700Lm]	4000K
75W [Emergency 5W]	140Lm/cW	10500Lm [Emergency 700Lm]	
100W [Emergency 5W]	140Lm/cW	14000Lm [Emergency 700Lm]	
125W [Emergency 5W]	140Lm/cW	17500Lm [Emergency 700Lm]	
150W [Emergency 5W]	140Lm/cW	21000Lm [Emergency 700Lm]	
175W [Emergency 5W]	140Lm/cW	24500Lm [Emergency 700Lm]	
200W [Emergency 5W]	140Lm/cW	28000Lm [Emergency 700Lm]	

Technical

Input Voltage	AC 100-240V
Colour Rendering Index	>80
Beam Angle	90°
Power Factor	0.97
Operating Temp.	-20 to +45°C
Materials	Aluminium & Tempered Glass
IP Rating	IP65
IK Rating	IK10
Dimmable	1-10V (as Standard)
Dimensions	590mm x 350mm x 56mm
Weight	7.81kg
MacAdam Step	<3
Emergency Output	3 Hours [5W]
Lifetime	50,000 hours, L90-B10 (Ta 25 °C)
CE Standards	EN60598-1, EN62493, EN55015, EN61547, EN61000-3-2, EN61000-3-3, EN62722-1, EN62722-2-1 and EN50581
CE Directives	LVD, EMC, ERP & RoHS

ATG D Light Source
Energy Rating

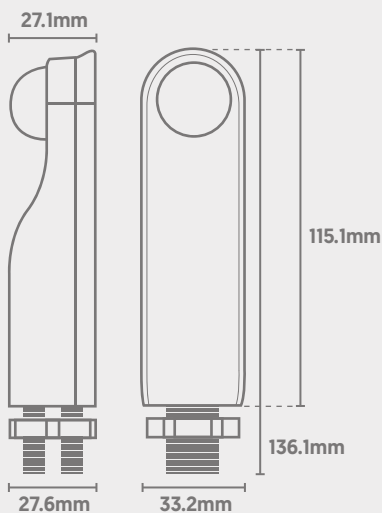
Photometric Data



Baylite Pro PIR Sensor

- Day & Night Operation
- 10m Detection Distance
- 360° Detection Range
- Up to 6m Install Height
(2m to 6m is recommended for optimal performance)

Dimensions



PIR Specifications

Daylight Sensor	<3Lx to 2000Lx (Adjustable)
Hold Time	Min: 10s±3s; Max: 30min±2min
Stand-By Period	5min, 10min, 15min, 30min, 60min, +∞
Detection Range	50% / 75% / 100% (360°)
Detection Distance	Up to 10m (24°C)
Detection Moving Speed	0.5-1.5m/s
Automatic Lighting Range	10Lx to 300Lx
Stand-By Dimming Level	OFF / 10% / 20% / 30%





Technical

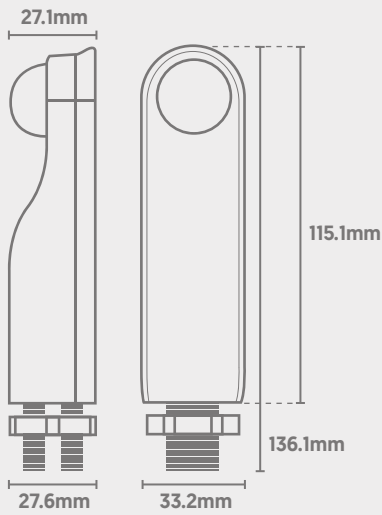
Power Source	AC 220-240V
Power Frequency	50/60 Hz
Maximum Switching	6A
Rated Load	Between 500W and 1200W
Power Consumption	Approximately 0.5W
Cable Specification	18AWG-1007
Operating Temperature	-20 to +40°C
Operating Humidity	<93% RH
Installation Height	2m to 6m
Material	Polycarbonate
IP Rating	IP65 After Installation

Baylite Pro

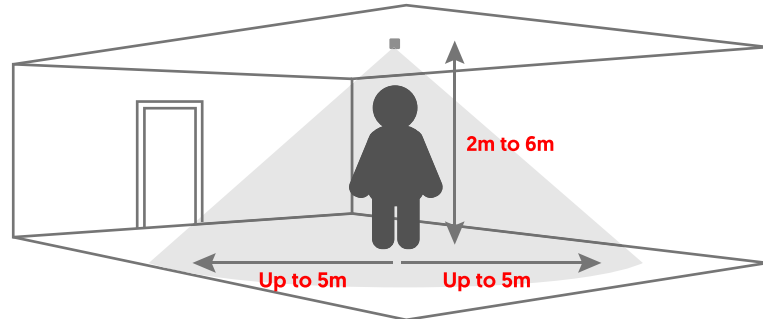
PIR Sensor

-  Day & Night Operation
-  10m Detection Distance
-  360° Detection Range
-  Up to 6m Install Height
(2m to 6m is recommended for optimal performance)

Dimensions



Detection Diagram



Wiring Diagram

