

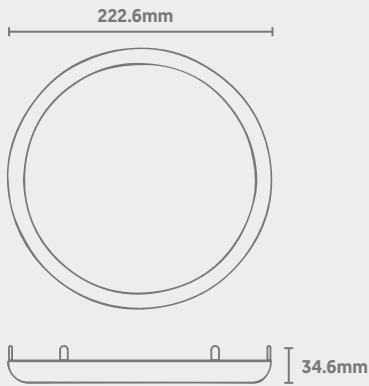
Downlight

Virgo

220mm Chrome Metal Trim

CODE: VGO-220-CHROME

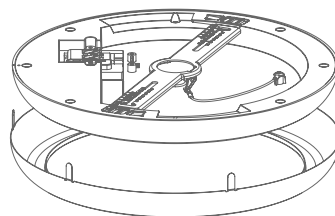
Dimensions



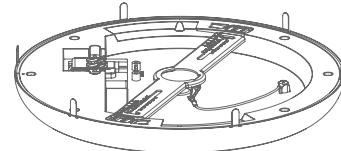
Technical

Installation	Clip-On to Luminaire via Installation Slots (See Below)
Installation Tabs	x6 Tabs (Metal Sheet)
Material	Metal
Finish	Chrome
Dimensions	222.6mm x 34.6mm

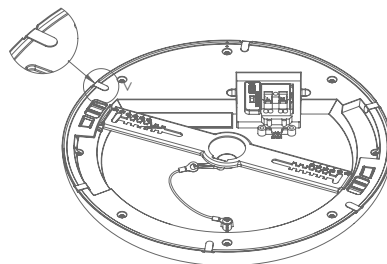
Installation



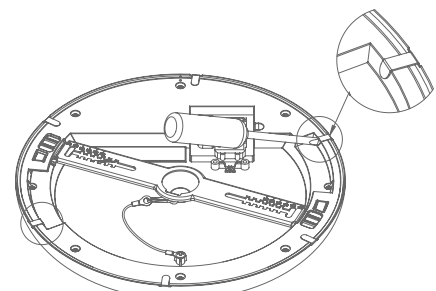
1) Place the Virgo luminaire into the metal trim.



2) Ensure the luminaire is fitted as per the above drawing.



3) Press the installation tabs firmly onto the back surface of the downlight.



4) Use tools to bend the two installation tabs corresponding with install slots. Make sure the tabs are firmly inside the slots.