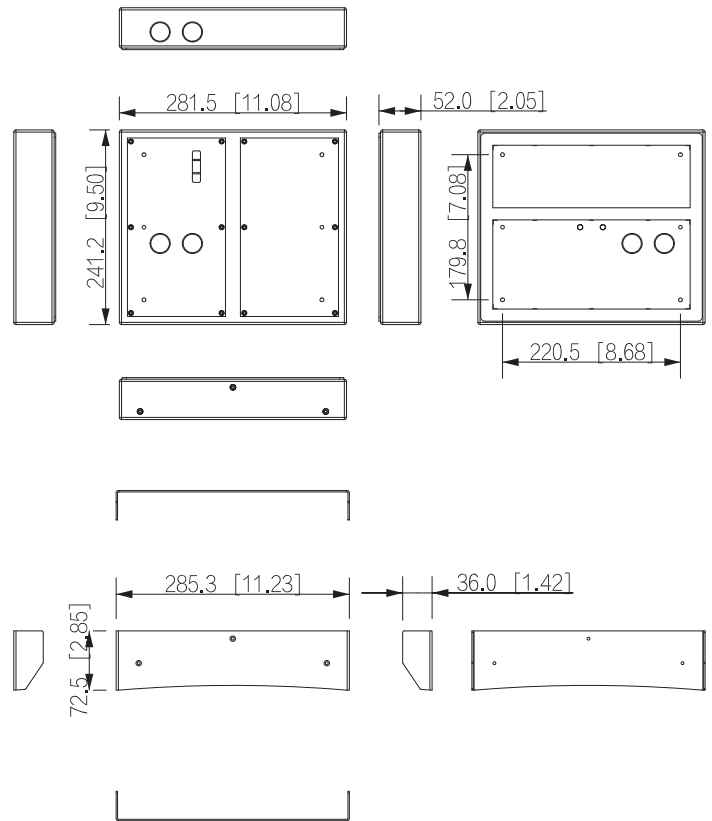


# VTM54R4/VTM28R4

Rain Cover



## Dimensions (mm[inch])



## Series Overview

The rain cover is intended to improve the device's service life by protecting it from sunlight and rain.

## Technical Specification

Casing	AL 5052
Appearance	Silver/Black
Installation	Surface mount
Gross Weight	1.13 kg (2.49 lb)

## Ordering Information

Type	Model	Description
Rain Cover	VTM54R4/VTM28R4	Rain cover for two 2-module VTO4202F/FB