



5MP HDCVI Full-Colour CCTV Kit (1TB)

CODE: CVPLUS-8-4DOME-1TB-W

Individual specifications for the cameras and recorder can be seen on the following pages



What's In The Kit?



Includes 4x 5MP 16:9 Full-Colour Turret Cameras

- Max 25 fps@5MP (16:9 video output).
- 24/7 colour imaging.
- 40 m illumination distance.
- CVI/CVBS/AHD/TVI switchable.
- 2.8 mm fixed lens.
- IP67, 12 VDC.
- Built-in mic (-A).



Includes 1x 5MP AI 8 Channel Compact 1U DVR

- H.265+/H.265 dual-stream video compression
- Supports Full-channel AI-Coding
- Supports HDCVI/AHD/TVI/CVBS/IP video inputs
- Max 12 channels IP camera inputs, each channel up to 6MP; Max 64 Mbps incoming bandwidth
- Up to 1 channel video stream (analog channel) Perimeter Protection
- Up to 8 channels video stream (analog channel) SMD Plus
- Up to 1 channel video stream (analog channel) human face recognition
- IoT & POS functionalities



5MP 16:9 Full-Colour Turret Camera

CODE: EAGLE-5COL-TUR3-FW



* In order to use the 5MP 16:9 HDCVI camera, the firmware of XVR must be upgraded to V4.001.0000001.0.R.200908 or later version.

- Max 25 fps@5MP (16:9 video output).
- 24/7 colour imaging.
- 40 m illumination distance.
- CVI/CVBS/AHD/TVI switchable.
- 2.8 mm fixed lens.
- IP67, 12 VDC.
- Built-in mic (-A).



Function

Full-color

This full-colour camera adopts a large aperture lens and high performance sensor. With a higher amount of absorbed light and advanced image processing algorithms, the camera provides 24/7 colour monitoring with clear and vivid information, significantly increasing the probability of gathering reliable people, vehicle, and event evidence that can be used for further intelligent analysis.

Broadcast-quality Audio

Audio information is used as supplementary evidence in video surveillance applications. This HDCVI camera supports audio signal transmission over a coaxial cable. In addition, it adopts unique audio processing and transmission technology that best restores source audio and eliminates noise, guaranteeing quality and effectiveness of collected audio information.

Warm Supplemental lights

With warm supplemental LED lights, the camera is able to provide a colourful and vivid image even in total darkness. By default, the camera is set to smart light mode, in which the camera can automatically adjust the exposure time and light sensitivity simultaneously to avoid overexposure of the objects in the image center.

4 Signals over 1 Coaxial Cable

HDCVI technology supports 4 signals over 1 coaxial cable simultaneously, i.e. video, audio, data and power. Dual-way data transmission allows the HDCVI camera to interact with the XVR, by sending control signals or triggering alarms. Moreover, HDCVI technology supports PoC for construction flexibility.

Long Distance Transmission

HDCVI technology guarantees real-time transmission at long distances without any loss. It supports up to 700m transmission for 2MP/5MP/8MP HD video via coaxial cable, and up to 300m via UTP cables.

Protection (IP67, wide voltage)

IP67: The camera passes a series of strict tests on dust and soaking. It has dust-proof functionality, and the enclosure works as normal after soaking in 1m deep water for 30 minutes.

Wide voltage: The camera allows $\pm 30\%$ (for some power supplies) input voltage tolerance (wide voltage range), and it is widely applied to outdoor environments with unstable voltage.

5MP 16:9 Full-Colour Turret Camera

CODE: EAGLE-5COL-TUR3-FW

HD
ANALOGUE



Technical Specification

Camera

Image Sensor	5 MP CMOS
Max. Resolution	2880 (H) × 1620 (V)
Scanning System	Progressive
Electronic Shutter Speed	PAL: 1/25 s–1/100000 s NTSC: 1/30 s–1/100000 s
Min. Illumination	0.005 lux/F1.6, 0 lux white light on
S/N Ratio	>65 dB
Illumination Distance	40 m (131.23 ft)
Illuminator On/Off Control	Auto; Manual
Illuminator Number	2
Pan/Tilt/Rotation Range	Pan: 0°–360° Tilt: 0°–78° Rotation: 0°–360°

Lens

Lens Type	Fixed-focal			
Auto Focus	No			
Lens Mount	M12			
Focal Length	2.8 mm			
Max. Aperture	F1.6			
Field of View	2.8 mm: Horizontal: 113°; Vertical: 60°; Diagonal: 132°			
Iris Control	Fixed			
Close Focus Distance	2.8 mm: 1.0 m (3.28 ft)			
DORI Distance	Detect	Observe	Recognize	Identify
	61.2 m (200.79 ft)	24.5 m (80.39 ft)	12.2 m (40.03 ft)	6.1 m (20.01 ft)

Video

Video Frame Rate	CVI: PAL: 5M@25 fps; 4M@25 fps; 1080P@25 fps NTSC: 5M@25 fps; 4M@30 fps; 1080P@30 fps AHD: PAL: 4M@25 fps; NTSC: 4M@30 fps TVI: PAL: 4M@25 fps; NTSC: 4M@30 fps CVBS: PAL: 960H; NTSC: 960H
Resolution	5M (2880 × 1620); 4M (2560 × 1440); 1080P (1920 × 1080); 960H (960 × 576/960 × 480)
BLC	BLC/HLC/WDR
WDR	DWDR
White Balance	Auto; Area white balance
Gain Control	Auto; manual
Noise Reduction	2D NR
Smart Illumination	Yes
Digital Zoom	No

Mirror	Off/On
--------	--------

Privacy Masking	Off/On (8 areas, rectangle)
-----------------	-----------------------------

Certification

Certifications	CE (EN55032: 2015, EN61000-3-2: 2014, EN61000-3-3: 2013, EN55024: 2010+A1: 2015, EN55035: 2017, EN50130-4: 2011+A1: 2014, EN62368-1: 2014+A11: 2017) FCC (CFR 47 FCC Part 15 subpartB, ANSI C63.4-2014) UL (UL62368-1+CAN/CSA C22.2 No.62368-1-14)
----------------	--

Port

Video Output	Video output choices of CVI/TVI/AHD/CVBS by one BNC port
--------------	--

Audio Input	One channel built-in MIC (-A)
-------------	-------------------------------

Power

Power Supply	12 VDC ± 30%
--------------	--------------

Power Consumption	Max 5.0 W (12 VDC, warm light on)
-------------------	-----------------------------------

Environment

Operating Temperature	–40 °C to +60 °C (–40 °F to +140 °F) <95% (RH), non-condensing
-----------------------	---

Storage Temperature	–40 °C to +60 °C (–40 °F to +140 °F) <95% (RH), non-condensing
---------------------	---

Protection	IP67
------------	------

Structure

Casing	Metal throughout the whole casing
--------	-----------------------------------

Camera Dimensions	φ106.0 mm × 93.6 mm (φ4.17" × 3.69")
-------------------	--------------------------------------

Net Weight	0.48 kg (1.06 lb)
------------	-------------------

Gross Weight	0.67 kg (1.48 lb)
--------------	-------------------

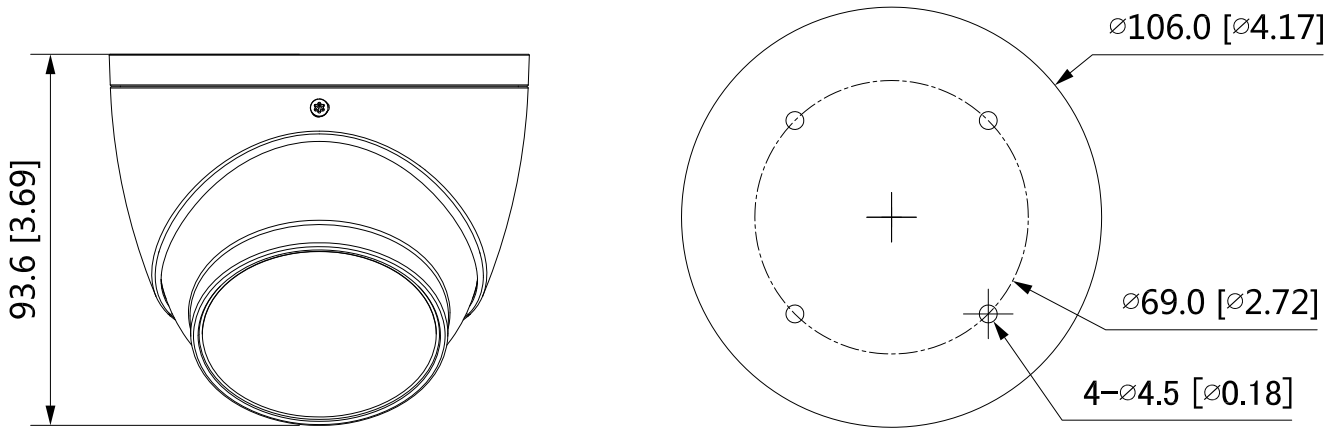
5MP 16:9 Full-Colour Turret Camera

CODE: EAGLE-5COL-TUR3-FW

HD
ANALOGUE



Dimensions (mm[inch])



5MP AI 8 Channel Compact 1U DVR

CODE: EAG-5MP-PRO-AI3-8-1TB



- H.265+/H.265 dual-stream video compression
- Supports Full-channel AI-Coding
- Supports HDCVI/AHD/TVI/CVBS/IP video inputs
- Max 12 channels IP camera inputs, each channel up to 6MP; Max 64 Mbps incoming bandwidth
- Up to 1 channel video stream (analog channel) Perimeter Protection
- Up to 8 channels video stream (analog channel) SMD Plus
- Up to 1 channel video stream (analog channel) human face recognition
- IoT & POS functionalities



Function

Real Time Face Recognition

Video stream real time face recognition. Facial attribute analysis features include gender, age, expression, glasses, moustache, mouth, mask etc. It helps to identify people and also capture & record faces with metadata. Supports facial feature filtering while in real time display mode.

*Face Recognition takes effect when Face is selected in AI Mode.

Perimeter Protection

Automatically filters out false alarms caused by animals, rustling leaves, bright lights, etc. Enables system to act as secondary recognition for the targets. This improves alarm accuracy.

*Perimeter Protection takes effect when IVS&SMD is selected in AI Mode.

SMD Plus

SMD Plus, referred to as Smart Motion Detection Plus, is an upgraded version of SMD that greatly improves the alarm accuracy by loading deep-learning algorithms. It analyzes people and vehicles based on motion detection and sends alarms only when intrusion is detected.

*SMD Plus takes effect when SMD or IVS&SMD is selected in AI Mode.

AI Coding

Compared with H.265, AI codec can reduce up to 50% of the bit rate and storage requirements while have no loss of decoding compatibility, providing clear people and vehicle details.

Smart H.265+

Smart Codec, H.265+ can reduce up to 90% bit rate and storage requirements compared with H.264 without having to invest in new cameras.

HDCVI/AHD/TVI/CVBS Auto-detect

The XVR can auto recognize the signal of front-camera without any setting. It makes operation more friendly and convenient.

High Definition Camera Input

The XVR supports up to 5MP HDCVI camera and 6MP IP camera input.

Coaxial Audio/Upgrade/Alarm

The integrated design can reduce wiring troubles which makes it much more cost-effective and convenient for installation.

Long Distance Transmission

The HDCVI system supports long distance transmission over coaxial cable and UTP, max. 700 m for 4K/4MP, 800 m for 1080p and 1200 m for 720p.

AI Search

Extract and classify person and vehicles from massive video data, easy for end users to trace historical information and analyze. Person & Vehicle optional for playback to achieve quick target search, saving event retrieval time.

5MP AI 8 Channel Compact 1U DVR

CODE: EAG-5MP-PRO-AI3-8-1TB

HD
ANALOGUE



Technical Specification

System	
Main Processor	Embedded processor
Operating System	Embedded linux
Perimeter Protection	
Performance	1 channel, 10 IVS for each channel
Object classification	Human/Vehicle secondary recognition for tripwire and intrusion
AI Search	Search by target classification (Human, Vehicle)
Face Recognition	
Performance	Max 8 face pictures/sec processing 1 channel video stream face recognition, only support analog camera
Stranger Mode	Detect strangers' faces (not in device's face database). Similarity threshold can be set manually
AI Search	Up to 8 target face images search at same time, similarity threshold can be set for each target face image
Database Management	Up to 10 face databases with 10,000 face images in total. Name, gender, birthday, address, certificate type, certificate No., countries®ions and state can be added to each face picture
Database Application	Each database can be applied to video channels independently
Trigger Events	Buzzer, Voice Prompts, Email, Snapshot, Recording, Alarm Out, PTZ Activation, etc.
SMD Plus	
Performance	8 channels
AI Search	Search by target classification (Human, Vehicle)
Video and Audio	
Analog Camera Input	8 channels, BNC
HDCVI Camera Input	5MP, 4MP, 1080p@ 25/30 fps, 720p@ 50/60 fps, 720p@ 25/30 fps
AHD Camera Input	5MP, 4MP, 1080p@ 25/30 fps, 720p@ 25/30 fps
TVI Camera Input	5MP, 4MP, 1080p@ 25/30 fps, 720p@ 25/30 fps
CVBS Camera Input	PAL/NTSC
IP Camera Input	8+4 channels, each channel up to 6MP
Audio In/Out	1/1, RCA
Two-way Talk	Reuse audio in/out, RCA
Recording	
Compression	AI Coding/H.265+/H.265/H.264+/H.264
Resolution	5M-N; 4M-N; 1080p; 1080N; 720p; 960H; D1; CIF
Record Rate	Main stream: All channel 5M-N (1 fps-10 fps); 4M-N/1080p (1 fps-15 fps); 1080N/720p/960H/ D1/CIF (1 fps-25/30 fps) Sub stream: D1/CIF (1 fps-15 fps)
Bit Rate	32 kbps-6144 kbps per channel
Record Mode	Manual; Schedule (General, Continuous); MD (Video detection: Motion Detection, Video Loss, Tampering); Alarm; Stop
Record Interval	1 min-60 min (default: 60 min), Pre-record: 1 s-30 s, Post-record: 10 s-300 s

Audio Compression	G.711A; G.711U; PCM
Audio Sample Rate	8 KHz, 16 bit per channel
Audio Bit Rate	64 kbps per channel

Display

Interface	1 HDMI; 1 VGA
Resolution	1920 × 1080; 1280 × 1024; 1280 × 720
Multi-screen Display	When IP extension mode not enabled: 1/4/8/9 When IP extension mode enabled: 1/4/8/9/16
OSD	Camera title, Time, Video loss, Camera lock, Motion detection, Recording

Network

Interface	1 RJ-45 Port (100 MB)
Network Function	HTTP; HTTPS; TCP/IP; IPv4/IPv6; Wi-Fi; 3G/4G; SNMP; UPnP; RTSP; UDP; SMTP; NTP; DHCP; DNS; IP Filter; PPPoE; DDNS; FTP; Alarm Server; P2P; IP Search (Supports Dahua IP camera, DVR, NVS, etc.)
Max. User Access	128 users
Smart Phone	iPhone; iPad; Android
Interoperability	ONVIF 16.12, CGI Conformant

Video Detection and Alarm

Trigger Events	Recording, PTZ, Tour, Video Push, Email, FTP, Snapshot, Buzzer and Screen Tips
Video Detection	Motion Detection, MD Zones: 396 (22 × 18), Video Loss, Tampering and Diagnosis
Alarm input	N/A
Relay Output	N/A

Playback and Backup

Playback	1/4/9 It changes to 1/4 split when Face or IVS&SMD is selected in AI Mode.
Search Mode	Time/Date, Alarm, MD and Exact Search (accurate to second)
Playback Function	Play; Pause; Stop; Rewind; Fast play; Slow Play; Next File; Previous File; Next Camera; Previous Camera; Full Screen; Repeat; Shuffle; Backup Selection; Digital Zoom
Backup Mode	USB Device/Network

Storage

Internal HDD	1 SATA port, up to 10 TB capacity
eSATA	N/A

Auxiliary Interface

USB	2 USB ports (USB 2.0)
RS485	1 port, for PTZ control
RS232	N/A

Electrical

Power Supply	DC 12V/2A
Power Consumption (Without HDD)	< 7W

5MP AI 8 Channel Compact 1U DVR

CODE: EAG-5MP-PRO-AI3-8-1TB



Construction

Dimensions	Compact 1U, 260.0 mm × 237.9 mm × 47.6 mm (10.24" × 9.37" × 1.87")
Net Weight (without HDD)	1.19 kg (2.62 lb)
Gross Weight	1.639 kg (3.61 lb)
Installation	Desktop installation

Environmental

Operating Conditions	-10°C to +55°C (+14°F to +131°F), 0%–90% (RH)
Storage Conditions	-20°C to +70°C (-4°F to +158°F), 0%–90% (RH)

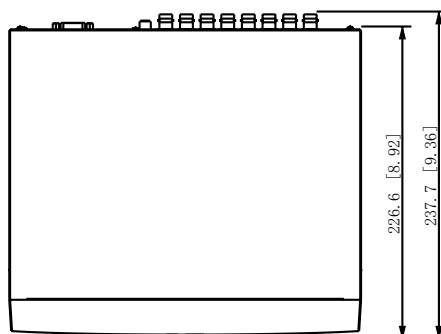
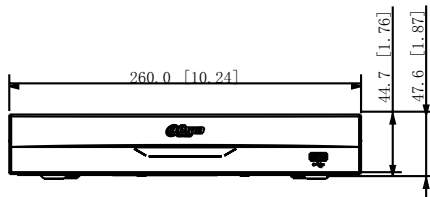
Third-party Support

Third-party Support	Dahua, Arecont Vision, AXIS, Bosch, Brickcom, Canon, CP Plus, Dynacolor, Honeywell, Panasonic, Pelco, Samsung, Sanyo, Sony, Videotec, Vivotek, and more
---------------------	---

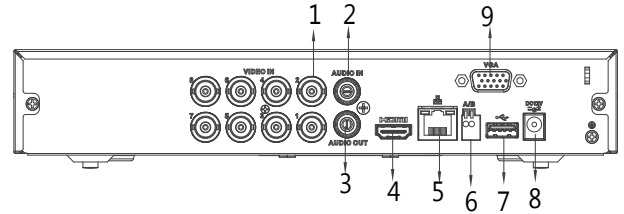
Certifications

	FCC: Part 15 Subpart B
--	------------------------

Dimensions (mm[inch])



Panels



- | | | | |
|---|--------------------------|---|--------------------|
| 1 | VIDEO IN | 6 | RS485 Interface |
| 2 | AUDIO IN, RCA Connector | 7 | USB Interface |
| 3 | AUDIO OUT, RCA Connector | 8 | DC 12V Power Input |
| 4 | HDMI Interface | 9 | VGA Interface |
| 5 | Network Interface | | |