

# COG-AI-7

## FACE RECOGNITION TERMINAL



- 2.5D curved screen
- 7 Inch LCD display with resolution of 1024×600
- 2 MP CMOS, WDR
- Vehicle level LCD whose working temperature is -30°C to 60°C
- IP65 (Silicone sealant is needed. For details, see the quick start guide.)
- Auto fill light reduces light pollution
- Can hold 100,000 users, 100,000 face images, 100,000 password, 50 administrators, and 300,000 records
- Support for face and password unlock and unlock through their combinations
- With face detection box; the largest face among faces that appear at the same time is recognized first; the maximum face size can be configured on the web
- Face-camera distance: 0.3 m–2.0 m; human height: 0.9 m–2.4 m (lens-ground distance: 1.4 m)
- With face recognition algorithm, the terminal can recognize more than 360 positions on human face
- Support for liveness detection
- Face recognition speed: 0.2 s per face
- Accurate recognition in backlight and front light
- Various unlock status display modes protect user privacy
- Support duress alarm and tamper alarm
- Support general users, patrol users, VIP users, guest users, and special users

### Technical Specification

#### System

Main Processor	Embedded Processor
Internet Protocol	IPv4, RTPSP, RTP, TCP, UDP, P2P
OSDP Protocol	Yes
Interoperability	ONVIF; CGI
SDK and API	Support SDK

#### Basic

Display	7 inch display
Screen Type	Capacitive Screen
Resolution	600(H)×1024(V)
Camera	1/2.8" 2MP CMOS high definition WDR dual camera
WDR	120dB
Light Compensation	Auto white light Auto IR light

Status Indicator	1 indicator light. Red: Error; Green: Normal; Blue: Working
Voice Prompt	Yes
Housing Material	Aluminium alloy/tempered glass/PC

#### Function

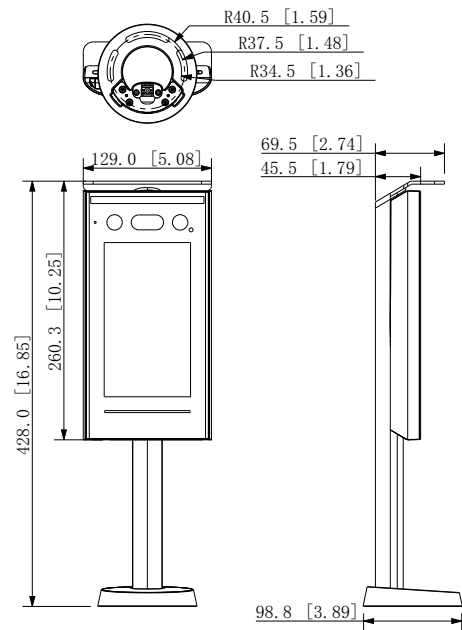
Unlock Mode	Remote/Password/Face unlock and unlock through their combinations
Period List	128
Holiday Period	128
Remote Verification	Yes
Peripheral Card Reader	1 RS-485, 1 Wiegand
Real-Time Surveillance	Yes
Web Configuration	Yes

#### Performance

Face Recognition Range	Face-camera distance: 0.3 m–2.0 m Human height: 0.9m–2.4 m
------------------------	---

Face Verification Accuracy	≥99.5%
Face Recognition Time	0.2s
<b>Capacity</b>	
User Capacity	100,000
Face Image Capacity	100,000
Password Capacity	100,000
Record Capacity	300,000 records
<b>Port</b>	
RS-485	1
RS-232	1
Wiegand	1 (input or output)
USB	2 USB2.0 port
Ethernet	1 1000M Ethernet Port 1 10M/100M Ethernet Port
Alarm Input	1 (Switch quantity)
Alarm Output	1 (Relay)
Alarm Linkage	Yes
Exit Button	2
Lock Control	2
<b>Alarm</b>	
Anti-Passback	Yes
Tamper	Yes
Duress	Yes
<b>Regular</b>	
Power Supply	Provided
Power Supply Mode	DC 12V 2A
Protection Grade	IP65 (Silicone sealant is needed. For details, see the quick start guide.)
Power Consumption	24W
Product Dimensions	428.0mm×129.0mm×98.8mm(16.85"×5.08"×3.89")
Packaging Dimensions	Controller packaging: 564mm×257mm×148mm(22.20"×10.12"×5.83") Protective case: 585mm×545mm×320mm(23.03"×21.46"×12.95")
Working Temperature	-30°C to +60°C (-22°F to +140°F)
Working Humidity	0%RH–90%RH (non-condensing)
Working Environment	Indoor and outdoor
Gross Weight	3.0kg (6.61 lb)
Installation Method	Desktop
Certification	CE/FCC

**Dimensions (mm[inch])**



**Application**

